

样品承认书



SAMPLES SPECIFICATION FOR APPROVAL

Switching power Supply/开关电源

客 户:

CUSTOMER: _____

产品描述:

DESCRIPTION: Input:100-240V ~ 50-60Hz Output:12VDC5A

机种型号:

OUR MODEL NO: MX65WPD-1205000K

样品编号:

日期:

SAMPLE NO: _____

DATE: 2025-01-19

物料编码:

产品颜色/SAMPLE COLOR:

MATERIAL CODE: _____

Black White

APPROVAL SIGNATURE/客户确认

核准/APPROVED BY

审核/CHECKED BY

检测/TESTED BY

Manufacturer/制造商

核准/APPROVED BY

审核/CHECKED BY

制定/MAKER

朱代富

程梦飞

广东明鑫电源技术有限公司

GUANGDONG MINGXIN POWER TECHNOLOGIES CO., LTD.

地址: 中国广东省东莞市常平镇东深路常平段 100 号润丰高新产业园二栋四、五、七楼

Add: Floor 4,5 and 7, Building 2, Runfeng High-tech Park, No.100, shen Road, Changping Town,

Dongguan City, Guangdong Province, China

Phone: 86-13790582743

Fax: 86-755-88849612

E-mail: ellen@mingxinpower.com

Website : www.mingxinpower.com

广东明鑫电源技术有限公司
GUANGDONG MINGXIN POWER TECHNOLOGIES CO., LTD.

版本目录/Rev. List			
版本/Rev.	日期/Date	描述/ Description	制订/Design
A0	2025-01-19	新版本/New Rev.	程梦飞

目录/Table of contents

1、描述/ DESCRIPTION..... 3

2、输入特性/INPUT CHARACTERISTICS..... 3

3、输出特性/OUTPUT CHARACTERISTICS.....4

4、保护功能/PROTECTION FUNCTION..... 5

5、环境要求/ENVIRONMENTAL REQUIREMET.....5~6

6、安全要求/SAFETY REQUIREMENT..... 6

7、结构参数/MECHANICAL REQUIREMENT.....7

8、线材/CORD.....8

9、铭牌附图/LABEL.....9

10、样品测试报告/ SAMPLES ELECTRICAL TEST REPORT..... 10

广东明鑫电源技术有限公司
GUANGDONG MINGXIN POWER TECHNOLOGIES CO., LTD.

1、描述/ DESCRIPTION:

该开关式电源的连续输出功率为 60 W.

The S.M.P.S should be capable of a total continuous DC power output of 60 Watts.

2、输入特性/INPUT CHARACTERISTICS:

2.1 输入电压/Input Voltage:

额定电压/Rated Voltage: 100-240 Vac

调整范围/Variation Range: 90-264 Vac

2.2 输入频率/Input Frequency:

额定频率/ Rated Frequency: 50-60 Hz.

调整频率/Variation Frequency: 47-63 Hz

2.3 输入电流/Input Current:

当输入交流电压为额定值的下限电压负载满载时,最大输入交流电流 2 A.

2 Amps max At any input voltage and rated, DC output rated load.

2.4 浪涌电流/Inrush Current:

冲击电流峰值在额定电压输入,冷启动(25℃)时,不大于 60A;且在任何负载和输入条件下,不导致永久性损坏或危险.

Impact current peak in the rated voltage input, cold start (25 °C), not more than 60 A; And in any load and input conditions, don't cause permanent damage or dangerous.

2.5 AC 漏电流/Ac Leakage Current:

当输入电压 240Vac 时,最大漏电流为 0.25mA./ 0.25mA Max.At240Vac input.

2.6 Stand-by power consumption ≤ 0.21 Watts.

待机功耗 ≤ 0.21 W.

广东明鑫电源技术有限公司
GUANGDONG MINGXIN POWER TECHNOLOGIES CO., LTD.

3、输出特性/OUTPUT CHARACTERISTICS:

3.1 输出功率/Power output

电压 Voltage	最小负载 Min. Load	额定负载 Rated. Load	输出功率 Output power
12Vdc	0.01A	5A	60W

3.2 输出特性/Output Characteristics

电压 Voltage	最小负载 Min. Load	额定负载 Rated. Load	电压范围 Voltage Range	
12Vdc	0.01A	5A	空载电压 (V)	负载电压 (V)
			11.4-12.6	11.4-12.6

3.3 纹波和噪音 Ripple and Noise:

测试条件:在输入 115/230Vac 25°C和输出最小及最大负载时, 使用示波器带宽为 20MHz 连接到适配器的输出端, 同时输出端并联一个 47uF 的电解电容和一个 0.1uF 的瓷片电容.

At 115/230Vac 25°C input and output Min and Max.Load,the ripple and noise are as follows when measure with Max.Bandwidth of 20MHz and Parallel 47uF/0.1uF,crossed connected at testing point.

电压 Voltage	最大纹波/最大噪音 Ripple and Noise(Max.)
+12Vdc	200mV p-p

3.4 启动延迟时间/Turn on delay time:

当输入 115Vac 和输出最大负载时,最大启动时间为 3 S.

3 Second Max.at 115Vac input and output Max.load.

3.5 保持时间/Hold up time:

当输入 115Vac 和输出最大负载时,最小保持时间为 5 mS .

5 mS Min.at 115Vac input and output Max.Load.

3.6 效率/Efficiency:

当 115/230Vac 输入电压时, 1/4, 1/2, 3/4 和满载计算平均效率, 最小 88.0%, 适配器满足能效 VI .

88.0 % Min,At 115/230Vac input voltage,1/4, 1/2, 3/4 and full load calculation average efficiency.Adapter meet efficiency lever VI

广东明鑫电源技术有限公司
GUANGDONG MINGXIN POWER TECHNOLOGIES CO., LTD.

4、保护功能/PROTECTION FUNCTION:

4.1 短路电路保护/Short circuit protection:

该电源供给器在短路解除时能正常工作恢复.

The power supply will be auto recovered when short circuit faults remove.

4.2 过流保护/Over current Protection:

过流故障排除后,电源将自动恢复正常工作.

The power supply will be auto recovered when over current faults remove.

5、环境要求/ENVIRONMENTAL REQUIREMET:

5.1 工作温度/Operating Temperature:

0℃-40℃,满载,正常工作.

0℃ to 40℃,Full load, Normal operation.

5.2 储藏温度/Storage Temperature:0℃ to 60℃

带外壳/With package

5.3 工作湿度/Relative Humidity:

5%(0℃)~90%(40℃),72 小时,满载,正常工作.

5%(0℃)~90%(40℃)RH,72Hrs,Full load, Normal operating.

5.4 振动/Vibration:

1. 测试标准:国际电工电子委员会

Operating: IEC 721-3-3 3M3

5~9Hz,A=1.5mm

加速度(9~200Hz,Acceleration 5m/S²)

2. 运输/Transportation:

IEC 721-3-2 2M2

5-9Hz,A=3.5mm

9~200Hz,加速度 Acceleration=5m/S²

200~500Hz,加速度 Acceleration=15m/S²

3. 轴向振动/Axes,10 cycles per axis.

在测试过程中不能出现永久性的损坏.

No permanent damage may occur during testing.

在电源开启和关闭后,样机能够恢复到最初条件.

The SAMPLE has to restore to its original situation after power off/on..

广东明鑫电源技术有限公司
GUANGDONG MINGXIN POWER TECHNOLOGIES CO., LTD.

5.5 跌落试验/Dropping Packed:

插墙式跌落高度为 1 米、桌面式跌落高度为 760mm、6 个面各跌一次

1M for wallmount type and 760mm for desktop type as above described, 6 surfaces or one

测试台面是厚 13mm 的夹木板, 离地面高 19-20mm

The horizontal surface Consists of hardwood at least 13mm thick,mounted on two layers of plywood each 19mm to 20mm thick,all supported on a concrete or equivalent non-resilient floor.

6、安全要求/SAFETY REQUIREMENT:

6、安全要求/SAFETY REQUIREMENT:

6.1 主熔断器/ MAIN FUSE

3.15A250V 保险管 Input fuse is 3.15A250V

6.2 安全: 符合标准 KC62368 ; Safety:accord standard with KC62368 ;

电磁兼容标准 EMC-Specification : GB9254/GB17625.1 ;

1. 干扰噪声抑制标准 Noise-suppressed acc : IEC55032 ;

2.谐波电流的抑制标准 Harmonic current measurement acc : IEC61000-3-2 ;

3.抗静电的承受标准 Immunity to electrostatic discharge(ESD)acc:IEC61000-4-2 ;

空气放电 Air discharge: ±8KV ; 接触放电 Contact discharge: ± 4KV ;

4.抗干扰抑制标准 Immunity to radiated electromagnetic field acc:IEC61000-4-3;

测试条件 Test characteristic: 80-1000MHz; 80%AM(1KHz) 检验条件 Test level 3V/m : A ;

5. 抗快速脉冲群标准 Immunity to fast electric transients(burst)acc: IEC61000-4-4;

耦合方式 Coupling On power supplylines 测试条件 Test Level: 1KV Assessment criteria 评估标准: B ;

6.浪涌测试标准 Surge capability acc: IEC61000-4-5;

浪涌电压 Surge voltage: 1KV Assessment criteria 评估标准: B ;

7. 抗骚扰测试 Injected currents susceptibility acc: IEC61000-4-6;

测试条件 Test Level: 3V/m Assessment criteria 评估标准: A ;

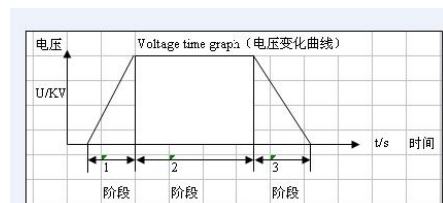
6.2 高压/DIELECTRIC STRENGTH Hi-Pot:

输入对输出/INPUT to OUTPUT :3000Vac/5mA/60S or 4242Vdc/5mA/60S for type test.

(批量生产时/Batch production: 3300Vac/5mA/3S)

1. Between input and output <输入 (2pin 脚短路) ---输出 (正, 负 极短路)

2. 电压输出变化曲线 Voltage time graph



广东明鑫电源技术有限公司
GUANGDONG MINGXIN POWER TECHNOLOGIES CO., LTD.

6.3 绝缘抗阻/Insulation resistance:

输入对输出/INPUT to OUTPUT $10M\Omega$ min at 500V DC.

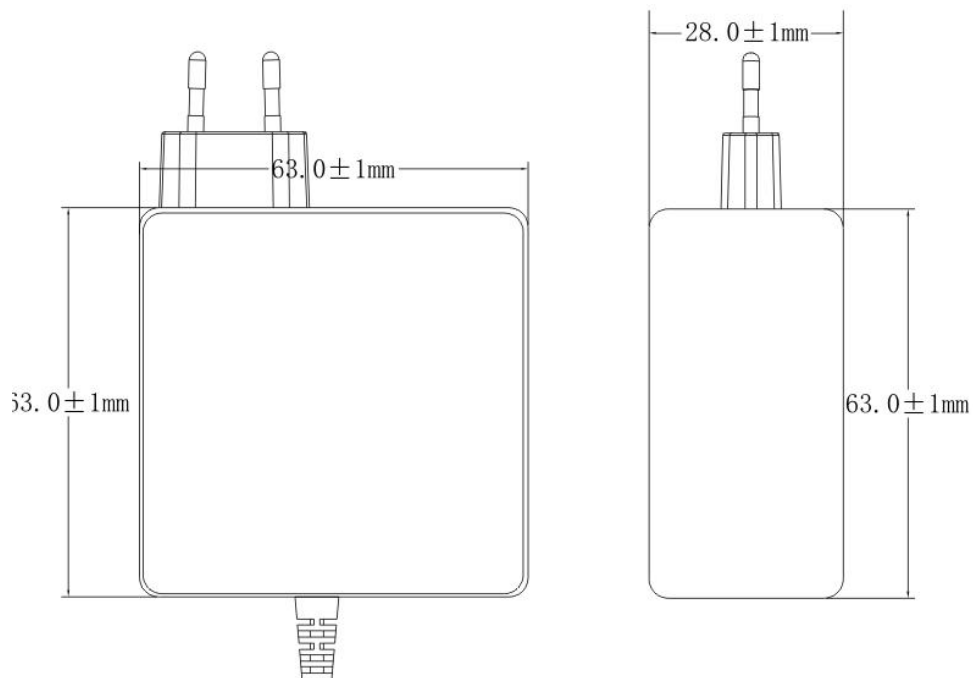
7、结构参数/MECHANICAL REQUIREMENT: (单位: mm)

7.1 外壳/Enclosure:

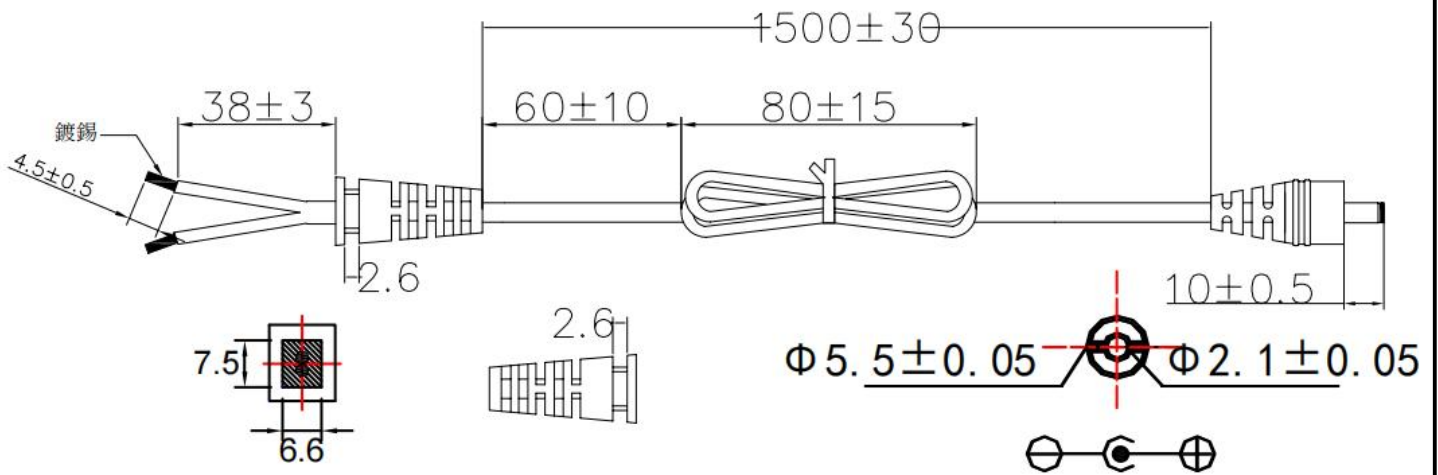
外壳尺寸: L63x W28x H63mm;

The power supply size:L63x W28x H63mm;

7.2 外观图 OUTLOOK DRAWING: mm



8、线材/CORD: (单位: mm)



注: UL2464 18AWG 1.5m DC头为5.5X2.1X10mm
 直头 黑嘴音叉沟槽 SR 2号模 7.5X6.6X2.6mm

广东明鑫电源技术有限公司
GUANGDONG MINGXIN POWER TECHNOLOGIES CO., LTD.

9、铭牌/LABEL:(单位: mm)

안전인증표시 사항		
안전인증번호: XXXXXXXX	제품명: 직류전원장치	
R-R-MxG-MX65WPD-2003250K		
모델명: MX65WPD-1205000K	정격입력: 100-240V~50/60Hz 2.0A	
정격출력: 12.0V=5.0A		
		
AS문의전화: XXXXXXXX		
제조국: 중국 (China)		
최저 소비 효율 기준만족 제품		
제조년월 : XXYY		
제조사: Guangdong Mingxin Power Technologies Co., Ltd.		

NOTE: 标签居中镭射

广东明鑫电源技术有限公司
GUANGDONG MINGXIN POWER TECHNOLOGIES CO., LTD.

10、样品测试报告/ SAMPLES ELECTRICAL TEST REPORT :

Sample form		sample (1)							
No	Test Items /测试项目	Unit / 单位	Test condition & result				Spec. Limit	Pass/ Fail	
			90V	115V	230V	264V			
1	Unload input power 空载输入功率	W	0.05	0.07	0.09	0.09	≤0.21W	PASS	
2	Power factor 功率因数	/	0.636	0.601	0.508	0.480	/	/	
3	Rated load input power 额定负载输入功率	W	68.44	68.41	67.78	68.13	≤100W	PASS	
4	Unload output voltage 空载输出电压	V	12.22	12.28	12.28	12.28	11.4-12.6	PASS	
5	Rated load output voltage 额定负载输出电压	V	11.66	11.66	11.66	11.66	11.4-12.6	PASS	
6	Output ripple&noise voltage 输出纹波及噪声电压	mV	/	120	128	/	≤200 mVp-p	PASS	
7	Over current protection 过流保护点	A	/	5.7	6.6	/	5-10	PASS	
8	Average Efficiency 平均效率	%		88.7	88.6		>88	PASS	
9	Short-circuit Protection 短路保护	W	not damage and with auto recovery function						PASS
Sample form		sample (2)							
1	Unload input power 空载输入功率	W							
2	Power factor 功率因数	/							
3	Rated load input power 额定负载输入功率	W							
4	Unload output voltage 空载输出电压	V							
5	Rated load output voltage 额定负载输出电压	V							
6	Output ripple&noise voltage 输出纹波及噪声电压	mV							
7	Over current protection 过流保护点	A							
8	Short-circuit Protection 短路保护	W	not damage and with auto recovery function						
sample (1)/sample (2)									
1	Drop test 跌落试验	the Dropping hight of wall mount type is 1M,6 surfaces Dropping respectively						PASS	
2	appearance 外观	Content of the NP label is correct,the appearance is clear no spot,scratch color-difference,disconnection and gap						PASS	
3	Burn-in test 老化试验	Input:230Vac/50Hz Full Load 4hrs						PASS	
4	Insualtion test 绝缘测试	INPUT TO OUTPUT:10MΩ min/DC500V,						PASS	
5	Hi-pot test 介电强度	INPUT TO OUTPUT: 3000Vac/5mA/60S or 4242Vdc/5mA/60S						PASS	
DATE/日期:2025-01-19		CHECK/审核: 朱代富			APPROVED BY/核准:				
TEST/测试员: 程梦飞									